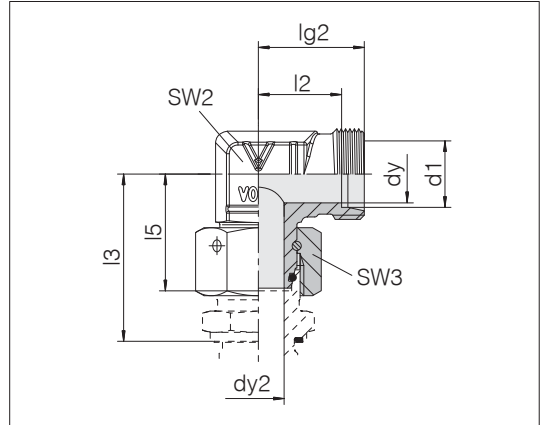


Swivel elbows

With taper and O-ring

Standard material of O-rings is FKM

Tube coupling: 24° in acc. with ISO 8434-1



| Series | Pressure | dy | dy2 | lg2 | l2 | l3 | l5 | SW2 | SW3 | kg/100 ca. | Order-No. | Designation |
|---------------|----------|----|-----|-----|------|------|------|-----|-----|---------------|------------|---------------|
| Tube OD d1 | | | | | | | | | | | | |
| L 6 | PN 500 | 4 | 2.5 | 19 | 12 | 34.5 | 26 | 12 | 14 | 4.1 | 1158032058 | 24-SWOE-L6-P |
| L 8 | PN 500 | 6 | 4 | 21 | 14 | 37.5 | 27.5 | 14 | 17 | 6.2 | 1158082058 | 24-SWOE-L8-P |
| L 10 | PN 500 | 8 | 6 | 22 | 15 | 40 | 29 | 14 | 19 | 5.3 | 1158132058 | 24-SWOE-L10 |
| L 12 | PN 400 | 10 | 8 | 24 | 17 | 42 | 29.5 | 17 | 22 | 10.1 | 1158182058 | 24-SWOE-L12 |
| L 15 | PN 400 | 12 | 10 | 28 | 21 | 46 | 32.5 | 19 | 27 | 12.9 | 1158232058 | 24-SWOE-L15 |
| L 18 | PN 400 | 15 | 13 | 31 | 23.5 | 50 | 35.5 | 24 | 32 | 18.6 | 1158282058 | 24-SWOE-L18 |
| L 22 | PN 250 | 19 | 17 | 35 | 27.5 | 55 | 38.5 | 27 | 36 | 25.3 | 1158332058 | 24-SWOE-L22 |
| L 28 | PN 250 | 24 | 22 | 38 | 30.5 | 59 | 41.5 | 36 | 41 | 34.2 | 1158382058 | 24-SWOE-L28 |
| L 35 | PN 250 | 30 | 28 | 45 | 34.5 | 68.5 | 51 | 41 | 50 | 57.4 | 1158432058 | 24-SWOE-L35 |
| L 42 | PN 250 | 36 | 34 | 51 | 40 | 75 | 56 | 50 | 60 | 103.0 | 1158482058 | 24-SWOE-L42 |
| S 6 | PN 800 | 4 | 2.5 | 23 | 16 | 40 | 27 | 14 | 17 | 6.2 | 1158532058 | 24-SWOE-S6-P |
| S 8 | PN 800 | 5 | 4 | 24 | 17 | 42.5 | 27.5 | 17 | 19 | 8.5 | 1158582058 | 24-SWOE-S8-P |
| S 10 | PN 800 | 7 | 6 | 25 | 17.5 | 45 | 30 | 19 | 22 | 12.2 | 1158632058 | 24-SWOE-S10-P |
| S 12 | PN 630 | 8 | 8 | 29 | 21.5 | 48 | 31 | 17 | 24 | 10.8 | 1158682058 | 24-SWOE-S12 |
| S 14 | PN 630 | 10 | 9 | 30 | 22 | 54 | 35 | 19 | 27 | 14.9 | 1158732058 | 24-SWOE-S14 |
| S 16 | PN 630 | 12 | 11 | 33 | 24.5 | 55 | 36.5 | 24 | 30 | 20.1 | 1158782058 | 24-SWOE-S16 |
| S 20 | PN 420 | 16 | 14 | 37 | 26.5 | 65 | 44.5 | 27 | 36 | 30.5 | 1158832058 | 24-SWOE-S20 |
| S 25 | PN 420 | 20 | 18 | 42 | 30 | 73 | 50 | 36 | 46 | 55.4 | 1158882058 | 24-SWOE-S25 |
| S 30 | PN 420 | 25 | 23 | 49 | 35.5 | 78.5 | 55 | 41 | 50 | 77.9 | 1158932058 | 24-SWOE-S30 |
| S 38 | PN 420 | 32 | 30 | 57 | 41 | 89 | 63 | 50 | 60 | 118.6 | 1158982058 | 24-SWOE-S38 |

Example for comp. :
EW06LVITOMD
ISO 8434-1-SWOE-L6-St

